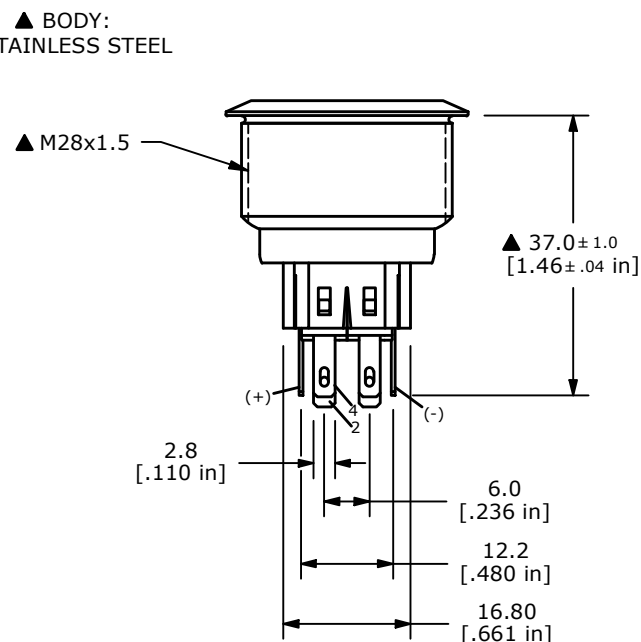
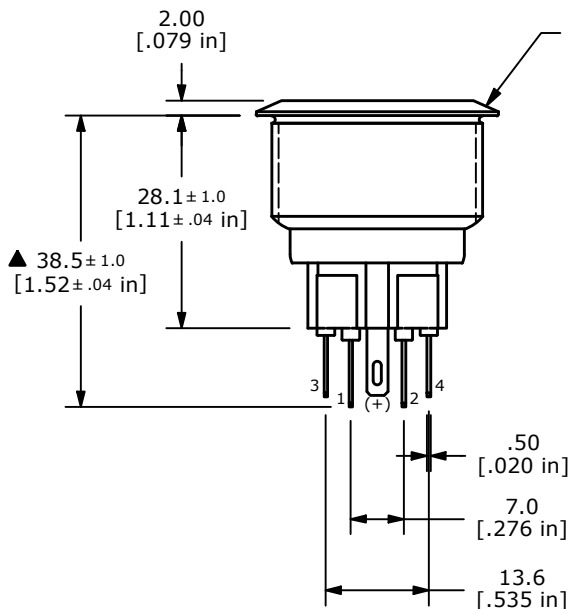
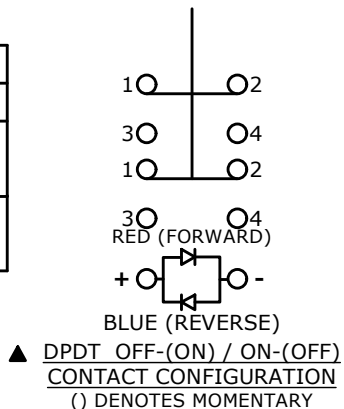


▲ SWITCH FUNCTION

POS. 1	POS. 2
1-2	3-4



NOTE:

- ALL DIMENSIONS IN MM [INCH]
- GENERAL TOLERANCE: X.X = ± 0.4  
X.XX = ± 0.25
- TERMINAL NUMBERS FOR REF. ONLY
- RATING: 2A @ 48VDC
- CONTACT RESISTANCE: 50mΩ MAX. @ 1A 12VDC
- INSULATION RESISTANCE: 1,000MΩ @ 500VDC
- DIELECTRIC STRENGTH: 2,000VAC MIN. FOR 1 MINUTE
- ELECTRICAL LIFE: 50,000 CYCLES
- OPERATING TEMPERATURE: -20°C TO 55°C
- INGRESS PROTECTION: IP66
- ▲ DENOTES CRITICAL PARAMETER
- ▲ 12. SUPPLIED HARDWARE: O-RING AND HEXNUT
- ▲ 13. ILLUMINATION COLOR: RED (FORWARD), BLUE (REVERSE)
- ▲ 14. ILLUMINATION VOLTAGE: BASE VOLTAGE 1.8V FORWARD, 2.8V REVERSE

REV	PCR NO	DESCRIPTION	DATE	BY
C	24637	UPDATE THREAD LENGTH TO 15.0	12/10/20	JM
B	23838	UPDATED RATING TO IP66	4/8/19	MJR
A	21909	RELEASE FOR PRODUCTION	7/10/15	MW



TITLE PV9F2V0SS-3H1				
SCALE 1:1	DATE 7/10/2015	DR MW	DWG 52-PV9F2V0SS3H1	REV C

THE INFORMATION CONTAINED IN THIS DOCUMENT IS PROPRIETARY TO E-SWITCH AND IS NOT TO BE COPIED OR TRANSFERRED